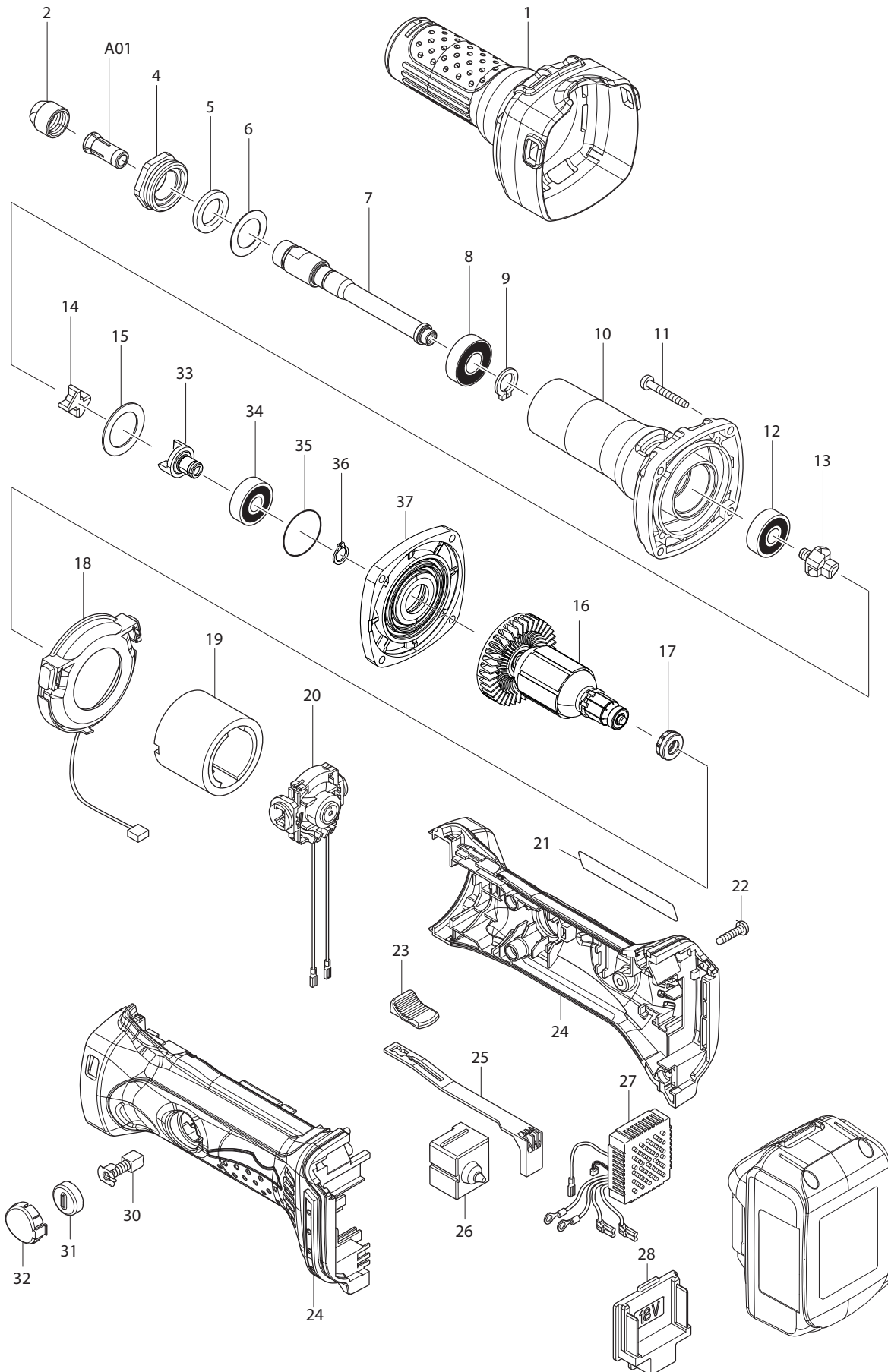




09 - 2011
LXDG01 / LXDG01Z / LXDG01Z1
18V LXT DIE GRINDER



Item No	Type	Part No	Description	Qty	Unit
1		424380-4	INSULATION COVER	1	PC.
2		763668-0	COLLET NUT	1	PC.
4		317999-5	BEARING RETAINER	1	PC.
5		443124-3	FELT RING 17	1	PC.
6		267329-9	FLAT WASHER 18	1	PC.
7		326010-2	SPINDLE	1	PC.
8		210106-8	BALL BEARING 6001LLB	1	PC.
9		961052-5	RETAINING RING S-12	1	PC.
10		318000-9	BARREL	1	PC.
11		266361-0	TAPPING SCREW 4X30	4	PC.
12		210042-8	BALL BEARING 629LLB	1	PC.
13		324639-8	COUPLING	1	PC.
14		421942-9	SPACER	1	PC.
15		267126-3	FLAT WASHER 22	1	PC.
16		619284-5	ARMATURE	1	PC.
	INC.		Item No. 17		
17		421977-0	RUBBER RING 13	1	PC.
18		631714-6	LED CIRCUIT	1	PC.
19		638627-2	YORK UNIT	1	PC.
20		638448-2	ENDBELL COMPLETE	1	PC.
21		868959-5	LXDG01 NAME PLATE	1	PC.
22		266326-2	TAPPING SCREW 4X18	5	PC.
23		419566-3	SWITCH KNOB	1	PC.
24		188704-5	HOUSING SET	1	SET
	INC.	263005-3	RUBBER RING 6	1	SET
25		419519-2	SWITCH LEVER	1	PC.
26		650579-7	SWITCH 1246.3223	1	PC.
27	1	631713-8	CONTROLLER	1	PC.
	2	620072-5	CONTROLLER	1	PC.
28		643838-6	TERMINAL	1	PC.
30		195018-5	CARBON BRUSH CB-430	1	PC.
31		643929-3	BRUSH HOLDER CAP	2	PC.
32		419518-4	HOLDER CAP COVER	2	PC.
33		326009-7	COUPLING	1	PC.
34		210042-8	BALL BEARING 629LLB	1	PC.
35		213445-5	O-RING 26	1	PC.
36		961005-4	RETAINING RING S-9	1	PC.
37		317821-6	GEAR HOUSING COVER	1	PC.
C01		871652-2	CARTON (For LXDG01Z)	1	PC.
C01A		871669-5	CARTON (For LXDG01)	1	PC.
D01		652044-2	+BIND SCREW M3.5X5.0	2	PC.
E01		892170-7	CAUTION LABEL	1	PC.

ACCESSORIES

- See Catalogue or visit www.makita.ca for more accessories -

A01		763673-7	COLLET CONE 1/4"	1	PC.
A02		781039-9	WRENCH 13	2	PC.
A03		450128-8	BATTERY COVER	1	PC.
A04	1	DC18RA	FAST CHARGER DC18RA	1	PC.
	2	DC18RC	FAST CHARGER DC18RC	1	PC.
		DC18RAKIT	CHARGER+BATTERY(DC18RA+BL1830)	1	SET
A05		194205-3	18V LI-ION BATTERY BL1830	1	PC.
		194230-4	18V LI-ION BATTERY BL1830 2/PK	1	PK
		194288-3	18V LI-ION BATTERY BL1830 10/PK	1	PK
A06	1	824975-7	PLASTIC CARRYING CASE	1	PC.
	INC.	162315-4	LATCH	2	PC.
	2	141482-8	PLASTIC CASE COMPLETE	1	PC.
	INC.	162315-4	LATCH	2	PC.
A07		192985-5	SIDE HANDLE SET	1	SET

Item No	Type	Part No	Description	Qty	Unit
A08		741616-9	WHEEL POINT 4-19-60	1	PC.
		741617-7	WHEEL POINT 1-19-60	1	PC.
A09		194649-7	BATTERY PROTECTOR	1	PC.
A10		763672-9	COLLET CONE 1/8"	1	PC.
A11		-----	ABRASIVE FLAP WHEELS		